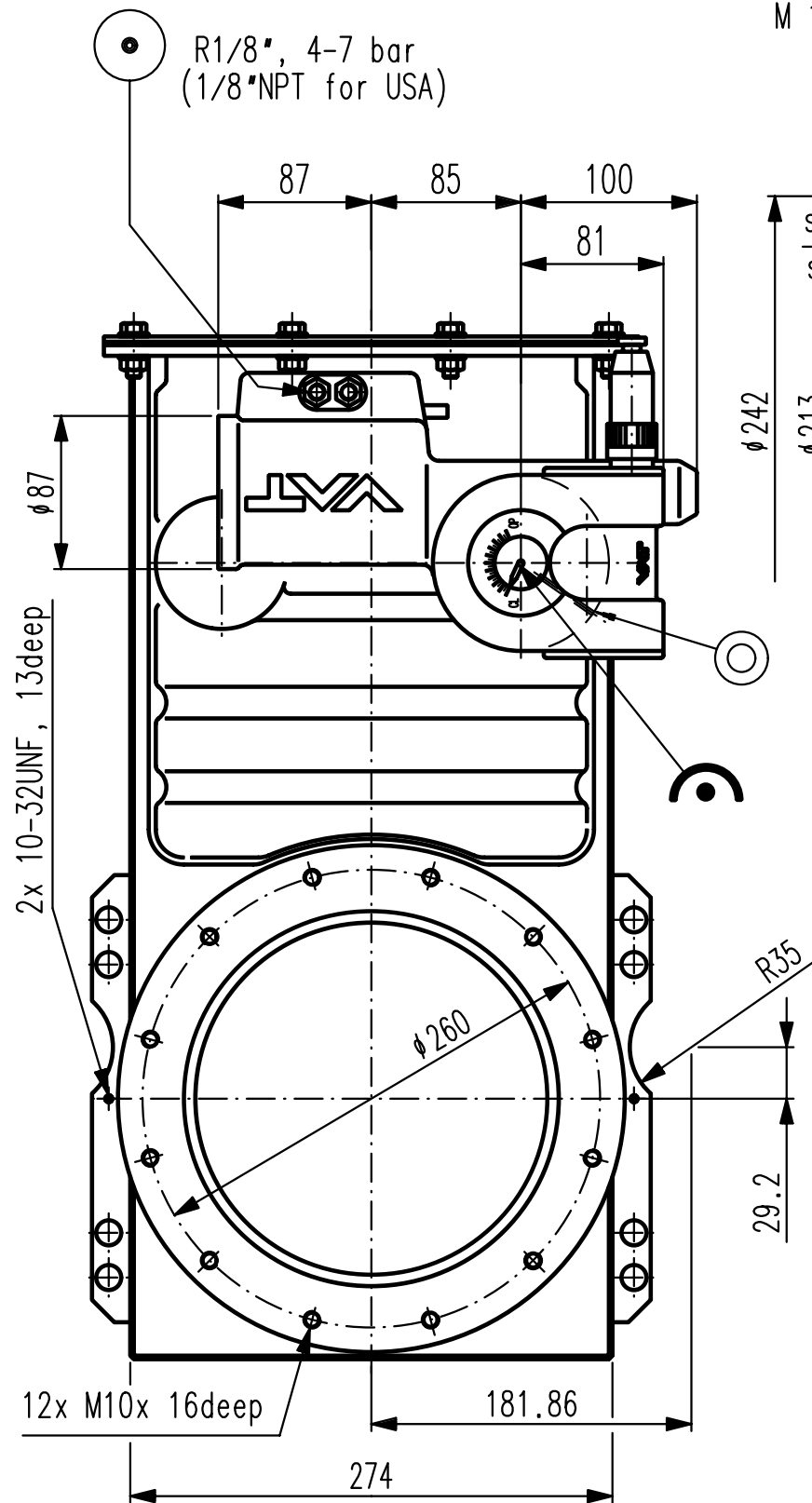


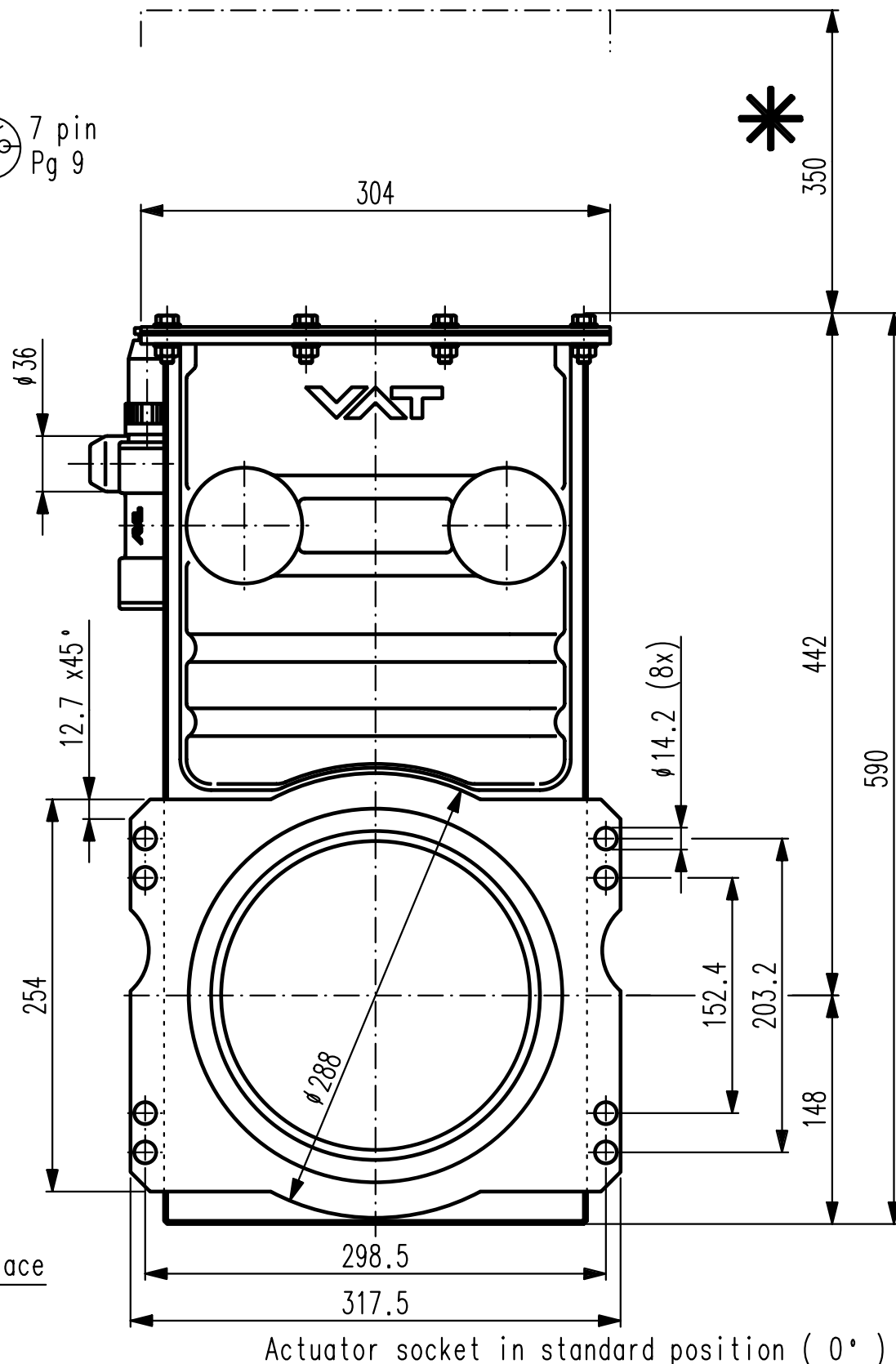
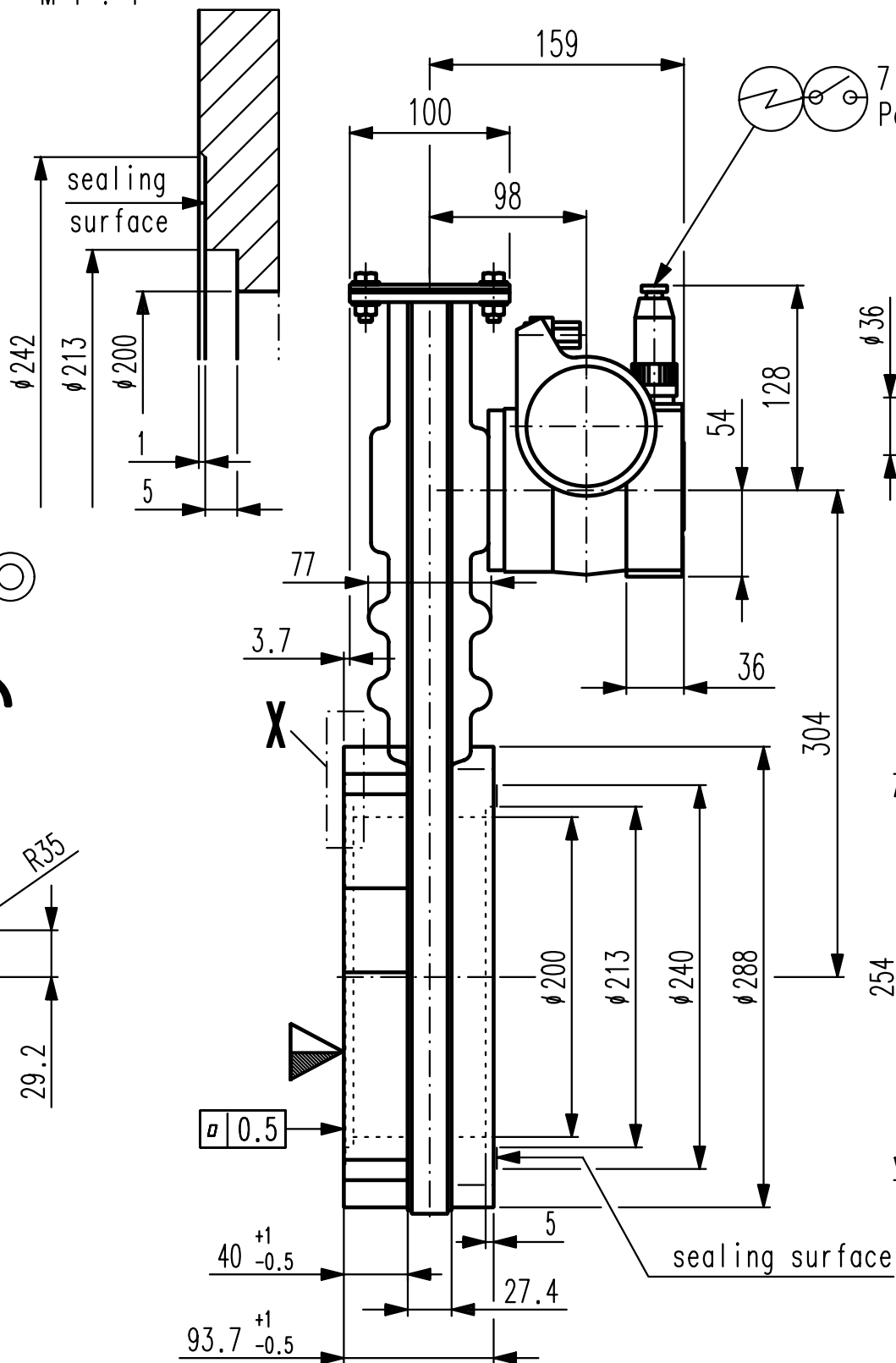
This drawing is the property of VAT.
Without the written consent of VAT, it must
not be copied or distributed to a third person

Revision	A	B	
Code	9200	-	
Date	11.04.97	03.07.2000	
Name	SIMON	WEW	



Detail X

M 1 : 1



- ▼ Seat side
- ⊙ Comp. air connection
- ⊕ Electrical connection
- ⊖ Leak detection port
- ⊗ Mech. pos. indication
- ⊘ Position indicator
- ⊙* Required for dismantling
- ⊙* Emergency actuation
- ⊙* For attachment
- ⊙* Bake-out area

HV Gate Valve

pneumatic actuator

rectangular flange at "A", ISO-F at "B"
A-dimension (mm) = 93.7



VAT Vakuumventile AG
CH-9469 Haag, Switzerland
Tel ++41 81 7716161 Fax ++41 81 7714830

Date: 07.03.97
Name: TICHY

Series	14	Ordering No.	14046-XE24-AAH2
Projection E		DN	Flange
Dimensional Drawing		200 spec / ISO-F	Rev. B
		94517	