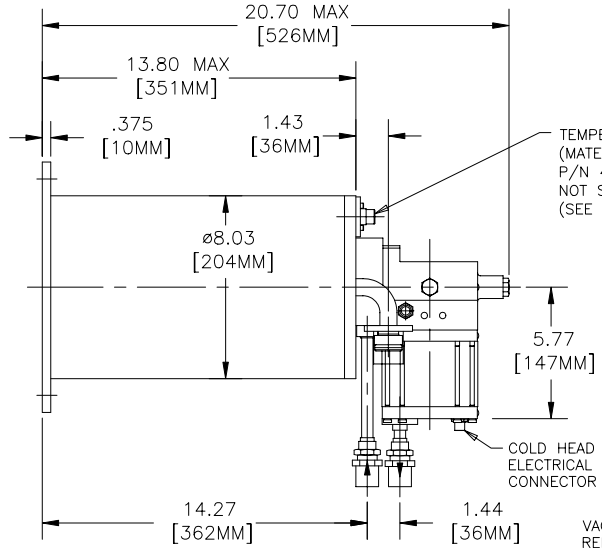


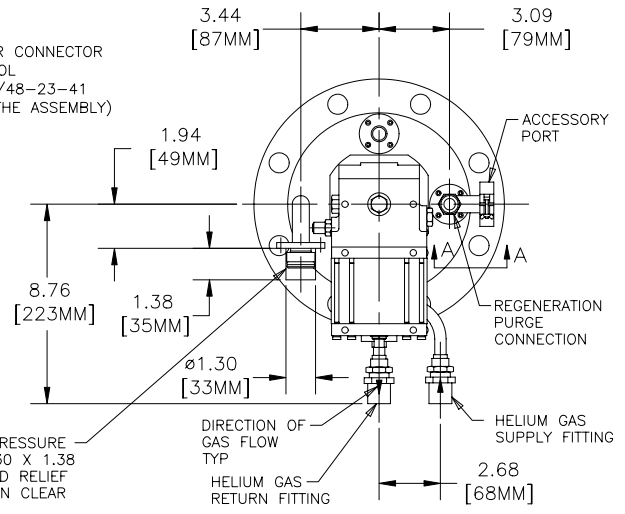
8X  $\phi$ .88 [22MM]  
EQ SP ON A  
 $\phi$ 9.50 [24MM]



TEMPERATURE SENSOR CONNECTOR  
(MATES WITH AMPHENOL  
P/N 48-16R-10-5S/48-23-41  
NOT SUPPLIED WITH THE ASSEMBLY)  
(SEE SCHEMATIC)

COLD HEAD  
ELECTRICAL  
CONNECTOR

VACUUM VESSEL PRESSURE  
RELIEF VALVE.  $\phi$ 1.30 X 1.38  
LONG AREA AROUND RELIEF  
VALVE MUST REMAIN CLEAR



ACCESSORY  
PORT

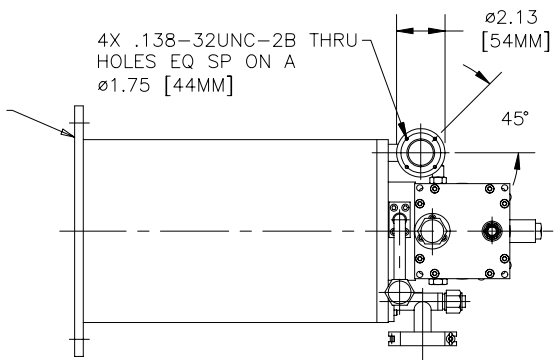
REGENERATION  
PURGE  
CONNECTION

HELIUM GAS  
SUPPLY FITTING

DIRECTION OF  
GAS FLOW  
TYP

HELIUM GAS  
RETURN FITTING

THE CRYOPUMP MTG FLANGE MATING  
SURFACE MUST BE FLAT WITHIN  
.010 [.254MM] & HAVE  $\frac{3}{32}$ " FINISH  
MIN IN THE AREA OF THE O-RING  
SEAL. (SIZE 2-172)

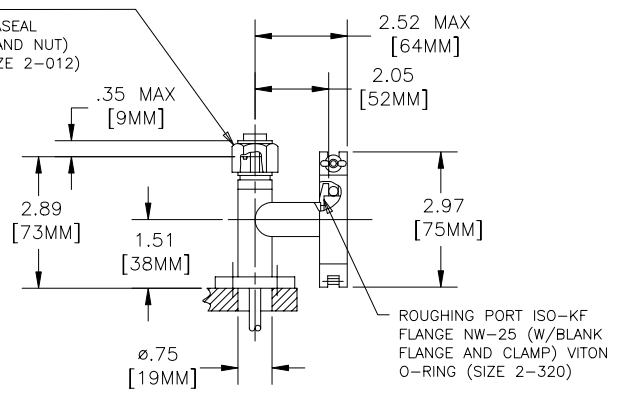


4X .138-32UNC-2B THRU  
HOLES EQ SP ON A  
 $\phi$ 1.75 [44MM]

$\phi$ 2.13  
[54MM]

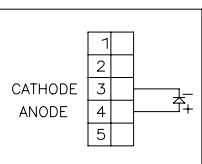
45°

PURGE FITTING  
PARKER CPI ULTRASEAL  
SIZE 6 (W/PLUG AND NUT)  
VITON O-RING (SIZE 2-012)



ROUGHING PORT ISO-KF  
FLANGE NW-25 (W/BLANK  
FLANGE AND CLAMP) VITON  
O-RING (SIZE 2-320)

VIEW A-A  
REGENERATION PURGE  
ASSEMBLY  
SCALE NONE



TEMPERATURE SENSOR SCHEMATIC

- NOTES:
1. MATERIAL:  
STAINLESS STEEL VACUUM VESSEL AND  
MTG FLANGE (WELDED CONSTRUCTION  
THROUGHOUT).
  2. WEIGHT: 45 LB (20 KG).
  3. ELECTRICAL POWER: 100 WATTS SUPPLIED  
THROUGH CTI CONTROL  
PANEL.
  4. CRYOPUMP MAY BE OPERATED IN ANY  
ORIENTATION.
  5. THE O-RING GROOVE IS A DOVETAIL DESIGN.
  6. DIMENSIONS ARE NOMINAL IN INCHES, UNLESS  
OTHERWISE SPECIFIED.

PROPRIETARY NOTICE  
EXCEPT AS OTHERWISE AGREED  
IN WRITING, THE INFORMATION  
AND DESIGN DISCLOSED HEREIN  
ARE THE PROPERTY OF  
CTI-CRYOGENICS AND MUST  
NOT BE COPIED OR DISTRIBU-  
TED OUTSIDE CTI-CRYOGENICS  
EXCEPT TO AUTHORIZED  
PERSONS WITH A GENUINE  
NEED-TO-KNOW WHO BY THE  
USE HEREOF ACKNOWLEDGE  
CTI-CRYOGENICS OWNERSHIP  
AND AGREE TO MAINTAIN THIS  
INFORMATION AND DESIGN IN  
STRICT CONFIDENCE.

<b>CTI-CRYOGENICS</b> HELIX TECHNOLOGY CORPORATION			
INSTALLATION/INTERFACE CRYO-TORR®8 ANSI W/SENSOR HIGH VACUUM PUMP			
SIZE <b>C</b>	CAGE CODE <b>31949</b>	DWG NO <b>8033167</b>	REV <b>C</b>
SCALE 1/4	IR DATE 12/94	SHEET 1 of 1	